

design TOSCANO®

INSTRUCTIONS FOR YOUR PRODUCT

AF-1853
Charles II Gothic Bar Stool

Thank you for your recent purchase of this Design Toscano hand-crafted piece of furniture art. We have taken great care to create this piece especially for you. Please review these instructions and assemble this piece with care. Do not over tighten any screw or bolt connection.

Parts

A (1 PC)



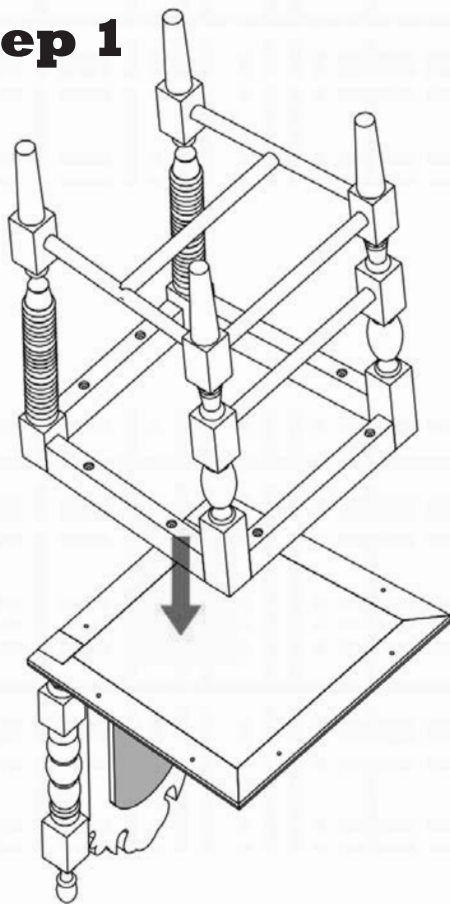
B (8 PCS)



C (8 PCS)

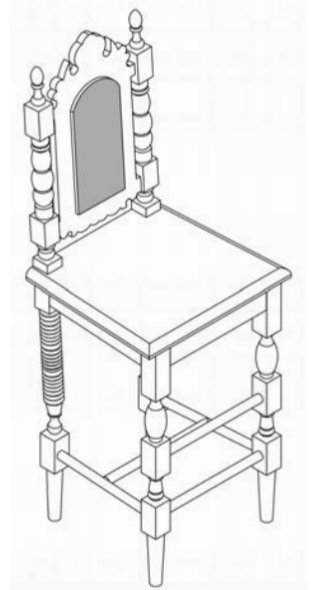
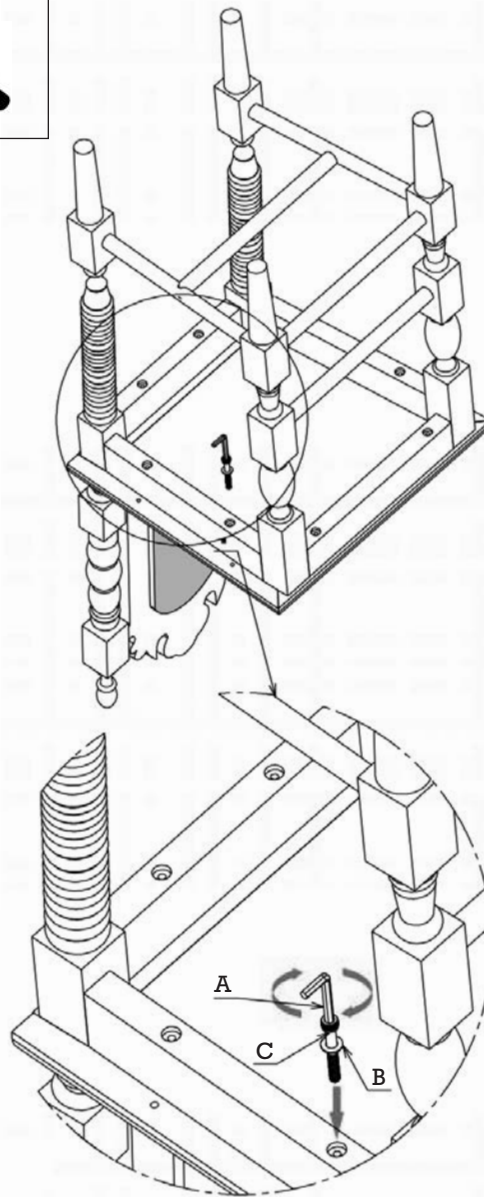


Step 1



Step 2

Repeat 8 times.



Assembled Product

©Copyright 2018, Design Toscano, Inc.

1.800.525.0733
DESIGNTOSCANO.COM

THANK YOU FOR
YOUR PURCHASE