

design TOSCANO®

INSTRUCTIONS FOR YOUR PRODUCT

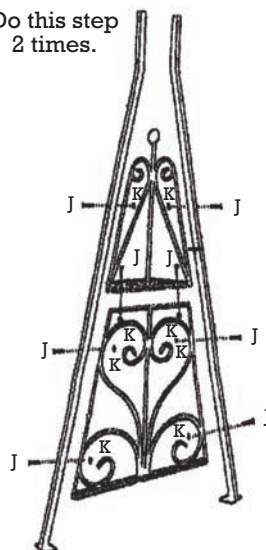
Thank you for your recent purchase of this beautifully ornated Design Toscano architectural gazebo. We have taken great care to create this piece especially for you. Please review these instructions and assemble this piece with care. A two person assembly is suggested. Do not over tighten any screw or bolt connection. We strongly suggest once assembled, double check every bolt and screw connection.

Parts

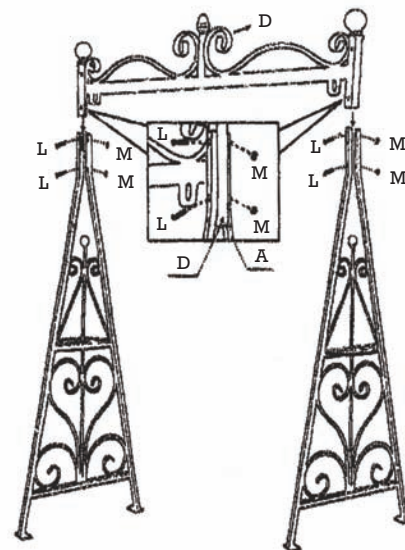
- A (2 PCS)
- B (2 PCS)
- C (2 PCS)
- H (2 PCS)
- J (16 PCS) 8x40MM
- K (16 PCS) DIA8MM
- N (2 PCS) 12x60MM
- P (4 PCS) DIA12MM
- R (4 PCS) DIA8MM
- D (1 PC)
- E (1 PC)
- F (1 PC)
- G (1 PC)
- L (4 PCS) 8x110MM
- M (4 PCS) DIA8MM
- O (4 PCS) 6x40MM
- Q (4 PCS) 6x40MM
- S (10 PCS) 8x35MM
- T (10 PCS) DIA8MM

Step 1

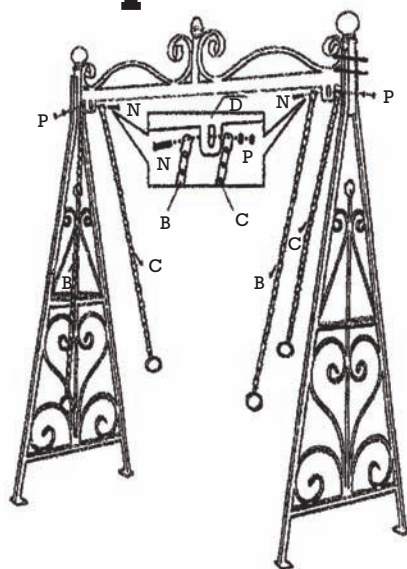
Do this step 2 times.



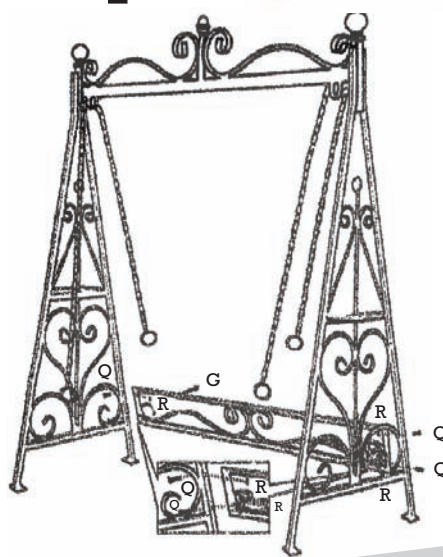
Step 2



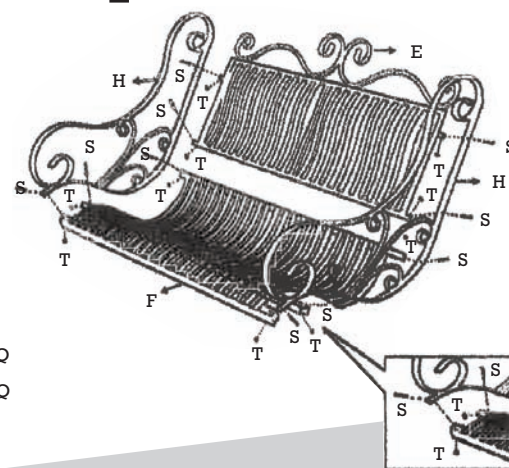
Step 3



Step 4



Step 5



©Copyright 2014, Design Toscano, Inc.

1.800.525.0733
DESIGNTOSCANO.COM

THANK YOU FOR YOUR PURCHASE