

design **TOSCANO**<sup>®</sup>

**INSTRUCTIONS  
FOR YOUR PRODUCT**

BN-2818  
St. Thomas Aquinas Gothic Wall Shelf

Thank you for your recent purchase of this Design Toscano hand-crafted piece of furniture art. We have taken great care to create this piece especially for you. Please review these instructions and assemble this piece with care. Do not over tighten any screw or bolt connection.

**Parts**

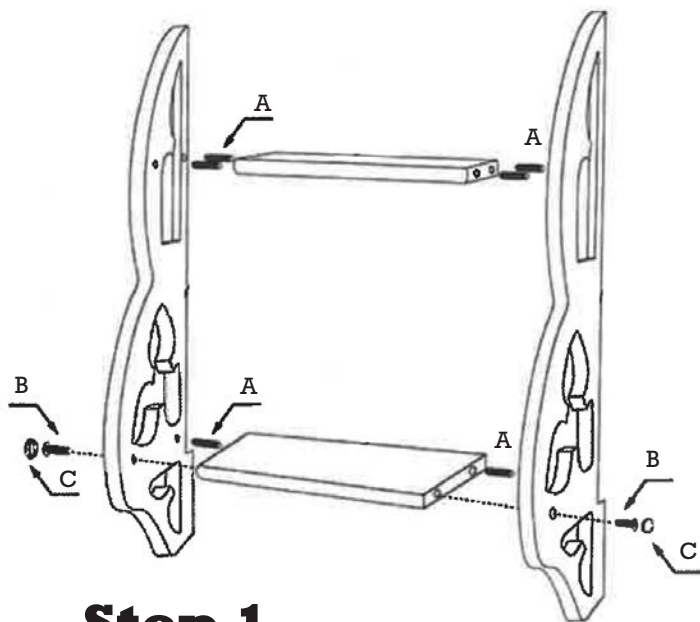
A (6 PCS)



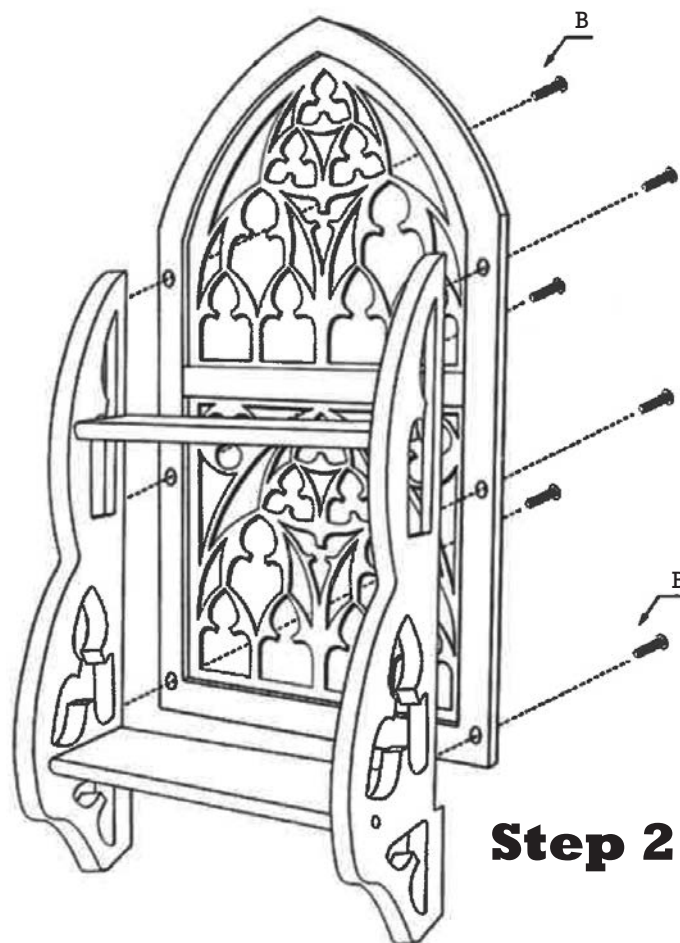
B (8 PCS)



C (2 PCS)



**Step 1**



**Step 2**

©Copyright 2021, Design Toscano, Inc.

1.800.525.0733  
DESIGNTOSCANO.COM

**THANK YOU  
FOR YOUR PURCHASE**